
Technical bulletin 2010-08-25 – Poseidon Diving Systems AB

To owners/users of the Poseidon Discovery rebreather

Product: Poseidon MkVI Discovery Rebreather electronics module

Manufacturer: Poseidon Diving Systems AB

Manufactured between: 2009-01-01 – 2010-08-24

Number of incidents reported: 2

Number of reported injuries: 0

Summary

It has been found that Discovery units have been delivered with screws that have not been tightened with adequate torque. These screws are located at the bottom of the e-module - see image 1 on the next page.

The purpose of these two screws is to seal the pneumatics block and fix it, to the e-module.

All owners/users of a Discovery should check that these screws are adequately tightened, before the next dive.

Resolving the issue

To resolve the issue, do the following:

1. Remove the e-module from the canister housing top.
2. Turn the e-module around, so that the bottom of the e-module is pointing upwards
3. Locate the two screws marked with red arrows in image 1 below.
4. Make sure that the two screws shown in image 1 below are tightly fastened (Recommended torque 2Nm).

NOTE!

Do not remove the screws or try to remove the pneumatics block - this will damage the e-module permanently.

Tools needed:

A TORX 20 (TX 20) screwdriver

If you require assistance doing the above procedure, please contact the dive shop where you purchased your Discovery unit or the nearest Poseidon Discovery Service Center.

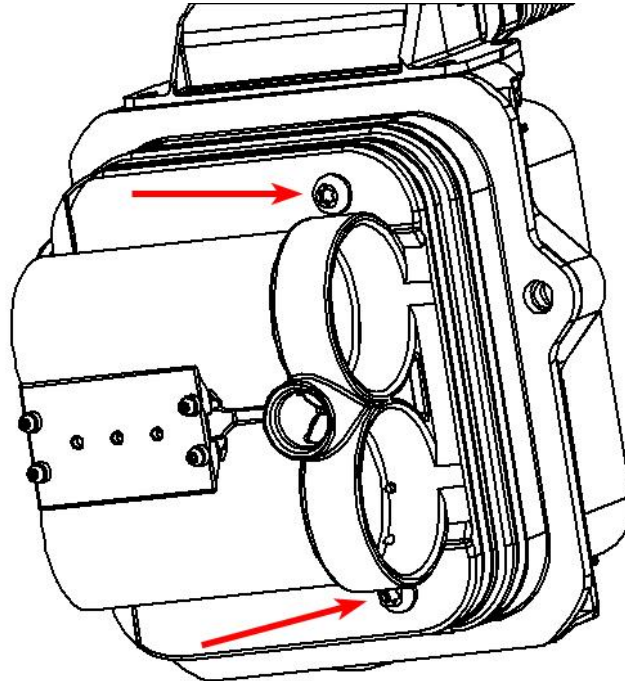


Image 1

If you require additional assistance or have questions about this technical bulletin, please feel free to contact our support department at support@poseidon.com

Jörgen Nilsson
Quality Manager

Jonas Brandt
CTO

Poseidon Diving Systems AB
P.O Box 8050
421 08 Västra Frölunda
Sweden

Phone: +46 (0)31 734 2900
Fax: +46 (0)31 734 2901
E-mail: info@poseidon.com
Web : www.poseidon.com